



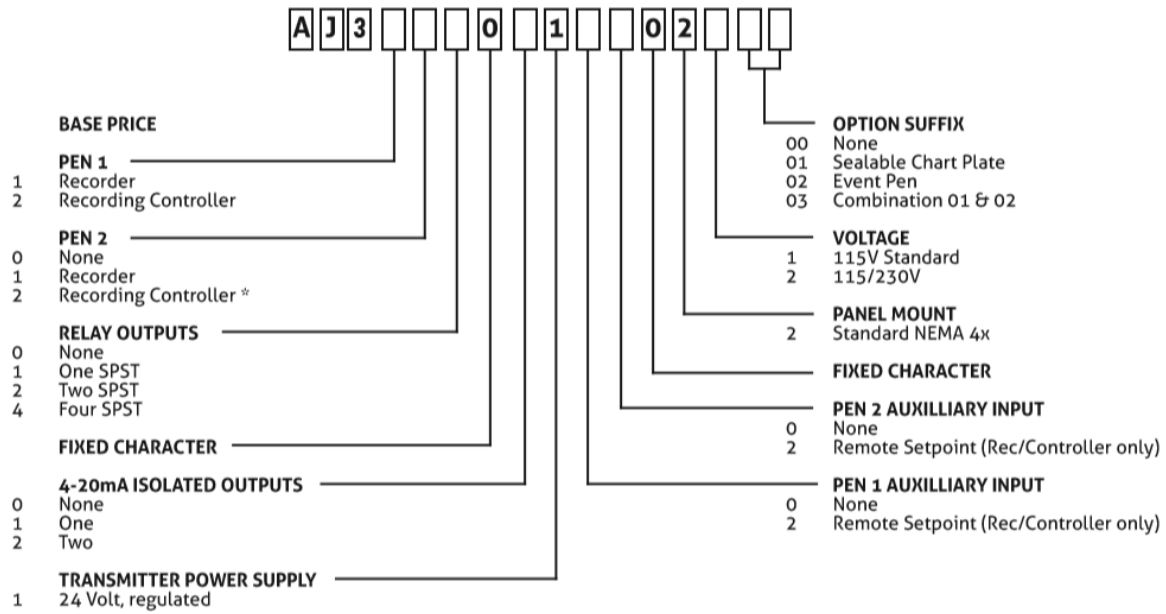
**Eyers Grove Management Group, Inc.**  
 18 Eyersgrove Road Millville, PA 17846  
 Ph: 570-458-7039 Fax: 570-458-7039  
 Email: sales@eyersgrove.net

Customer: \_\_\_\_\_ Contact Name: \_\_\_\_\_

Phone: \_\_\_\_\_

**AJ-300 Recorder/Recording Controller Request Specifications**

**Order Information**



**Specifications**

Ambient Temperature:	0-55°C (32° to 131°F) (operating) -40 to 65°C (-40° to 149°F)(storage)	Displays:	.56" high LED's; 1 per pen
Humidity:	0-100% RH, non-condensing	Relay Outputs:	Up to four outputs (2 per pen max.) SPST, 5 amps at 115 VAC, resistive.
Vibration:	0.5 Hz to 100 Hz at 0.2 G	Current Outputs:	Up to (2) 4-20 mA isolated outputs; 0.25% of span accuracy; 650 ohms max. loop resistance.
Voltage:	115 VAC standard	Transmitter Power Supply:	24 VDC, 40 mA minimum, can drive one or two inputs.
Frequency:	50/60 Hz	Event Pen:	Optional, 110 Volt, externally triggered. Internal trigger via one optional relay output.
Power:	25 VA max.	Proportional Band:	1 to 3000 units
Case/Cover Material:	Foam injected Noryl, Lexan window	Manual Reset:	-1500 to 1500 units
Mounting:	Panel standard; optional wall/pipe mount (order separately)	Auto Reset (Integral):	0.0 to 100.0 repeats/minute
Panel Cut-out:	12.7" X 12.7"	Rate (Derivative):	0.0 to 10.0 minutes
Overall dimensions:	16.77" H X 14.12" W X 5.25" Panel depth (2.5" panel protrusion)	Control Action:	Field selectable, direct or reverse
Weight:	20 lbs. max.	Anti-Reset Wind-Up:	Integral disabled when process is outside proportional band.
Agency Approvals:	UL/CUL listed	Auto/Manual:	"Bumpless" Transfer
Inputs:	Programmable for 100 ohm, 3-wire RTD; 4-20mA; 0-5 Volt; 1-5 Volt; and J,K,E,T,R,S,B, and N thermocouples	Warranty:	3 years
Pen Type:	Disposable felt-tip pens #1 red, #2 green		
Recording Accuracy:	0.5% of chart span		
Chart Rotation:	0.1 to 999.9 hours		